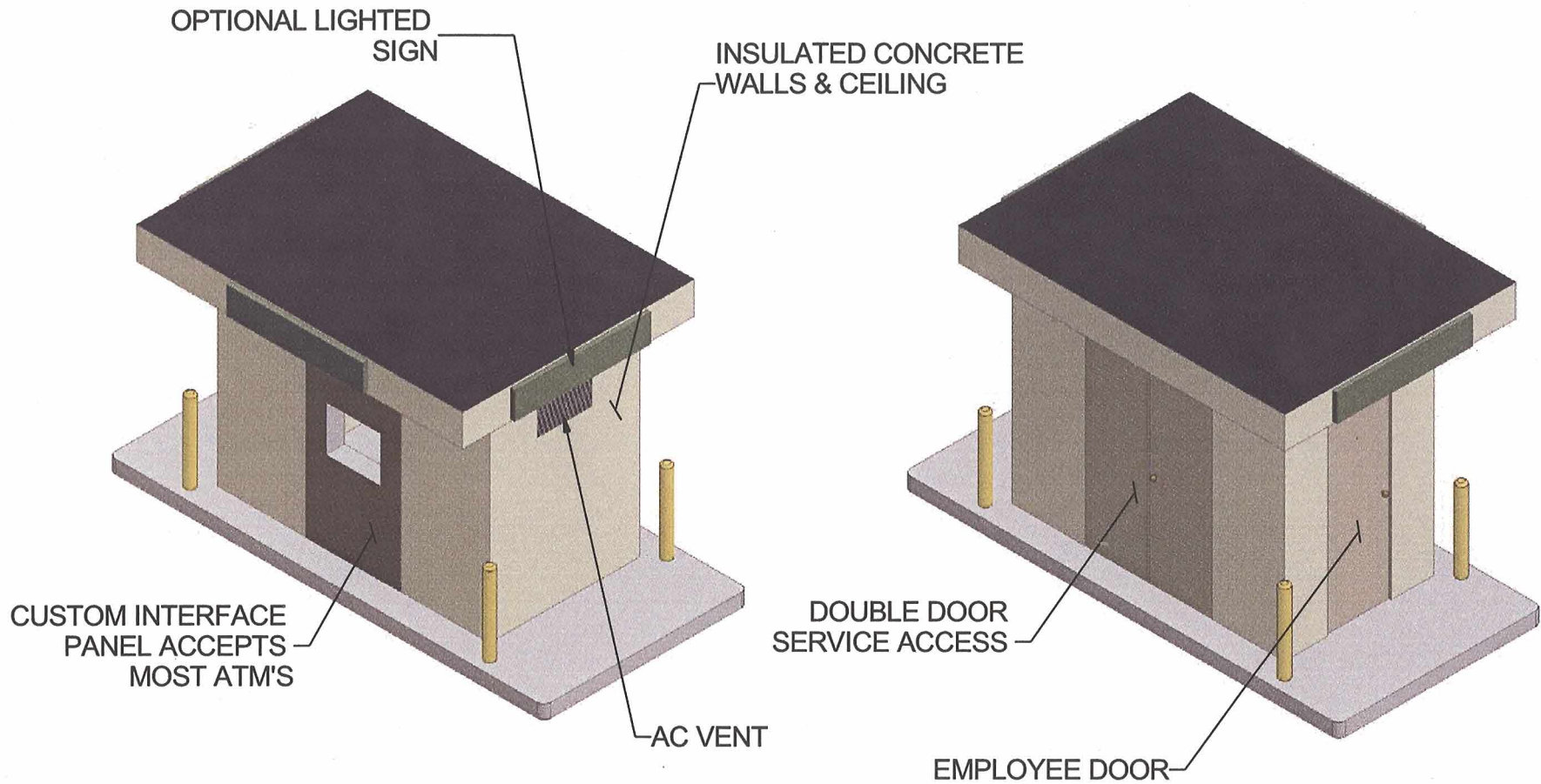


INTRODUCING THE INSUL-ARMOR™ KIOSK



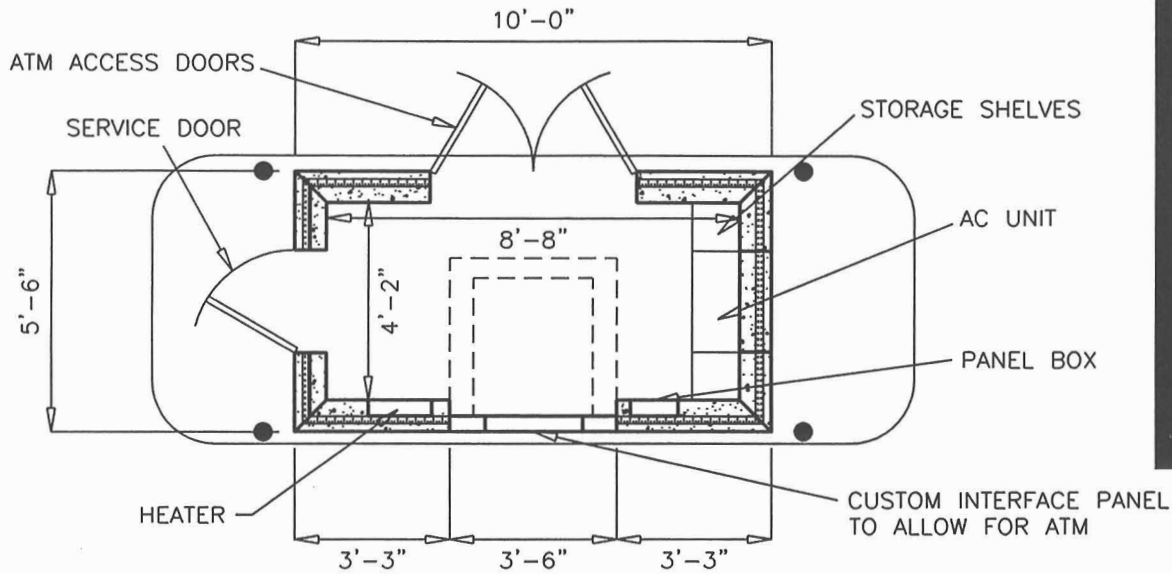
FEATURES:

- 120+ MPH WIND RESISTANCE
- 3 HOUR FIRE RATING
- R-30 IN SOME AREAS
- LOW MAINTENANCE
- 2 YEAR LIMITED WARRANTY
- 60 AMP ELECTRICAL PANEL
- WALL MOUNT SHELVING
- FOUR SINGLE GANG OUTLETS
- TWO ACCESS DOORS (1) EMPLOYEE & (1) DOUBLE MAINTENANCE

FINISHES:

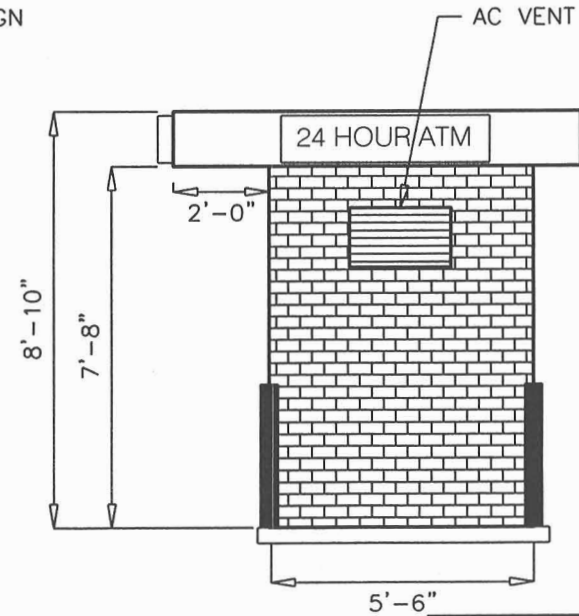
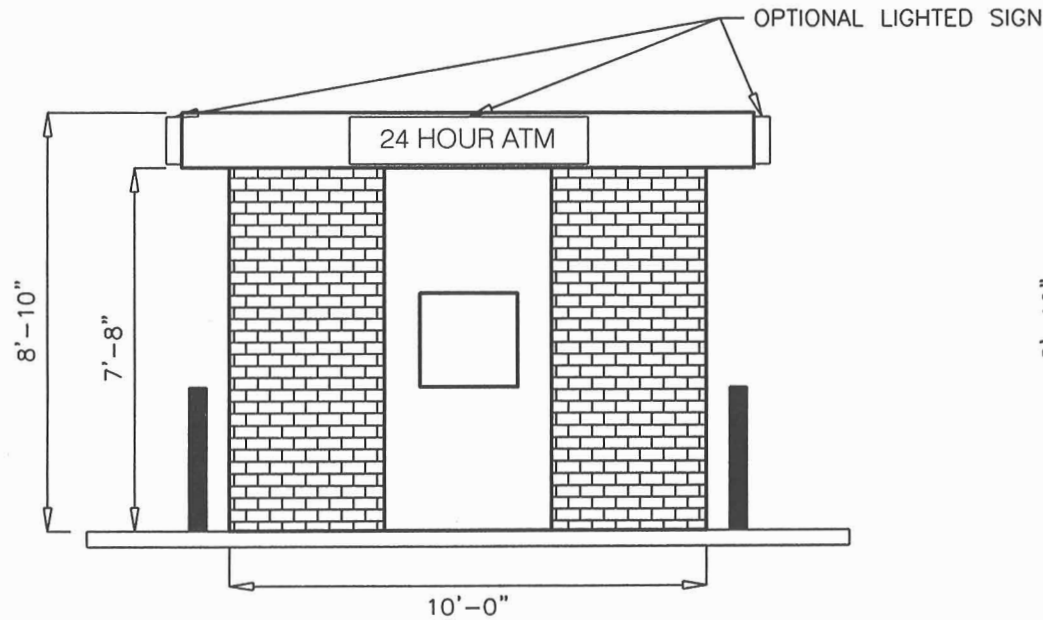
- STUCCO
- KNOCK DOWN
- TROWEL
- ANY COLOR
- BRICK

INTERNATIONAL VAULT
2469 OLD ROUTE 421 N.
SILER CITY, NC
TEL: (919) 742-3132
FAX: (919) 742-3319
www.internationalvault.com



NOTES:

1. JOBSITE TO HAVE FREE AND CLEAR ACCESS FOR OVERHEAD CRANE OR FORKLIFT
2. CURB AND ISLAND REQUIREMENTS TO BE PREPARED BY GC
3. GC TO EMBED PLATES PROVIDED BY IVI
4. GC TO MAKE ALL NECESSARY ELECTRICAL CONNECTIONS
5. ELECTRICAL CONTRACTOR TO MAKE FINAL CONNECTIONS
6. ALARM & VIDEO REQUIREMENTS BY OTHERS

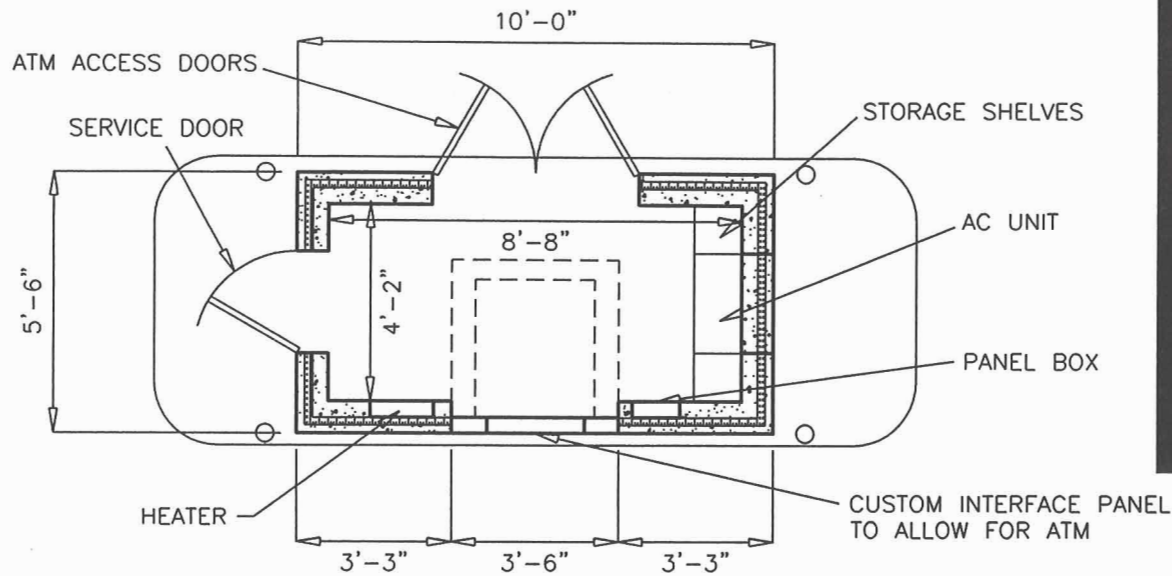


SHIPPING WEIGHT: 23,400 LBS

| | |
|----------------------|--------------|
| LOCATION: | |
| PRODUCTS \ ATM KIOSK | |
| PRODUCT NAME: | |
| INSUL-ARMOR 510B | |
| DRAWN BY: | SCALE |
| CMH | 1/4" = 1'-0" |

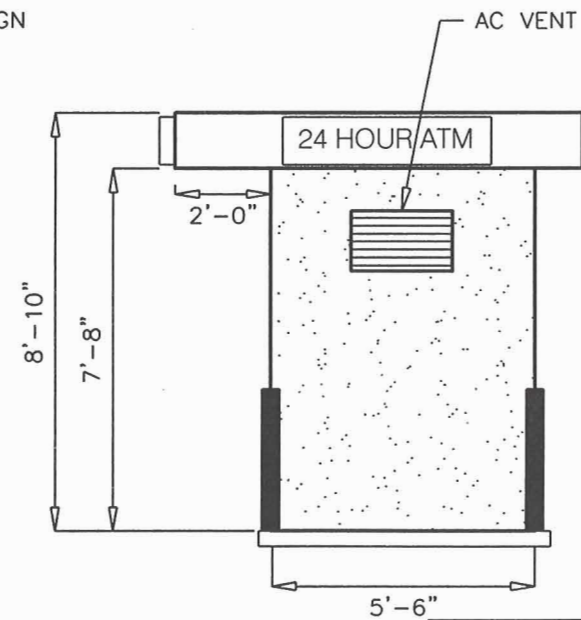
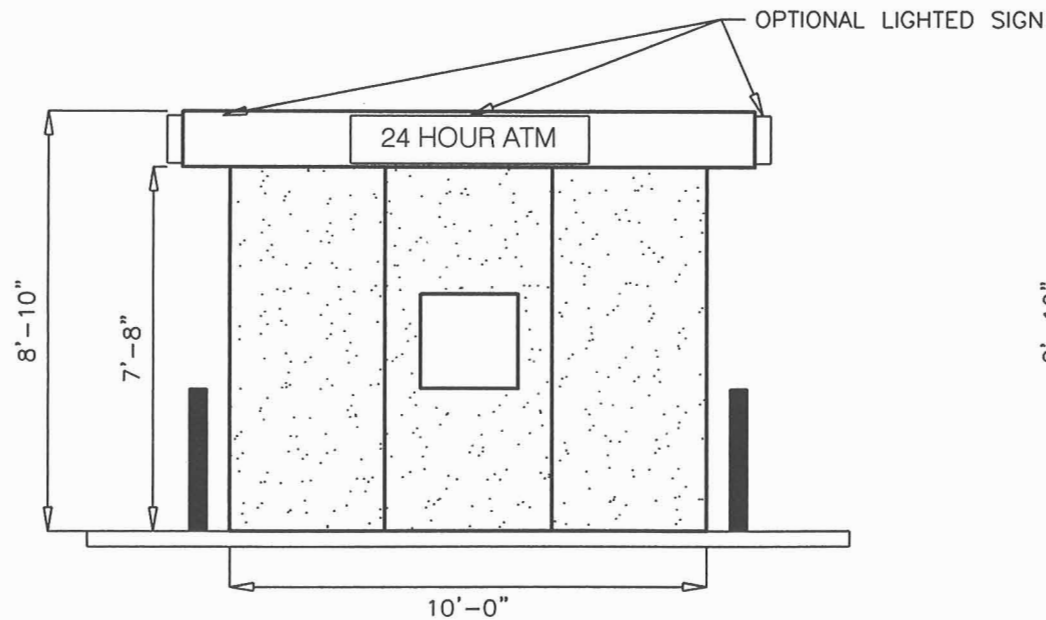
INTERNATIONAL VAULT INC
 2469 OLD ROUTE 421 N.
 SILVER CITY, NC 27344
 TEL (919) 742-3132
 FAX (919) 742-3319
 www.internationalvault.com

THIS DRAWING IS THE PROPERTY OF IVI, AND MAY CONTAIN PROPRIETARY INFORMATION. NEITHER THIS DRAWING NOR ANY INFORMATION HEREIN SHALL BE COPIED OR REPRODUCED IN ANY MANNER, LOANED OR USED FOR ANY PURPOSE WHATSOEVER WITHOUT THE PRIOR WRITTEN PERMISSION OF IVI.



NOTES:

1. JOBSITE TO HAVE FREE AND CLEAR ACCESS FOR OVERHEAD CRANE OR FORKLIFT
2. CURB AND ISLAND REQUIREMENTS TO BE PREPARED BY GC
3. GC TO EMBED PLATES PROVIDED BY IVI
4. GC TO MAKE ALL NECESSARY ELECTRICAL CONNECTIONS
5. ELECTRICAL CONTRACTOR TO MAKE FINAL CONNECTIONS
6. ALARM & VIDEO REQUIREMENTS BY OTHERS



SHIPPING WEIGHT: 23,400 LBS

| | |
|----------------------|--------------|
| LOCATION: | |
| PRODUCTS \ ATM KIOSK | |
| PRODUCT NAME: | |
| INSUL-ARMOR 510S | |
| DRAWN BY: | SCALE |
| CMH | 1/4" = 1'-0" |

INTERNATIONAL VAULT INC
 2469 OLD ROUTE 421 N.
 SILER CITY, NC 27344
 TEL (919) 742-3132
 FAX (919) 742-3319
 www.internationalvault.com

THIS DRAWING IS THE PROPERTY OF IVI, AND MAY CONTAIN PROPRIETARY INFORMATION. NEITHER THIS DRAWING NOR ANY INFORMATION HEREIN SHALL BE COPIED OR REPRODUCED IN ANY MANNER, LOANED OR USED FOR ANY PURPOSE WHATSOEVER WITHOUT THE PRIOR WRITTEN PERMISSION OF IVI.