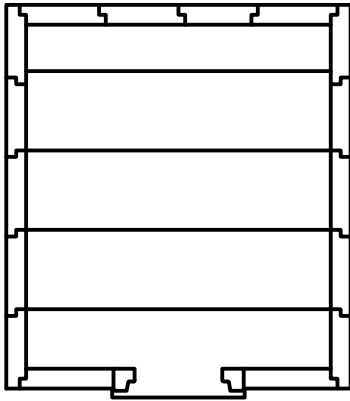
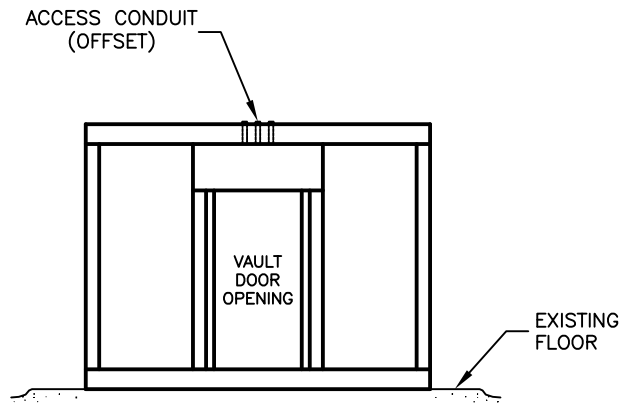


LIGHTWEIGHT MODULAR VAULT PANELS

U.L. CLASSIFICATION	APPROX. WEIGHT (PER SQ. FT. OF SURFACE)	THICKNESS (T)	TYPICAL WIDTH (W)
CLASS M	17 LBS. ($\pm 10\%$)	4"	35"
CLASS 1	27 LBS. ($\pm 10\%$)	6.5"	27"
CLASS 2	50 LBS. ($\pm 10\%$)	12"	36"
CLASS 3	71 LBS. ($\pm 10\%$)	17"	30"

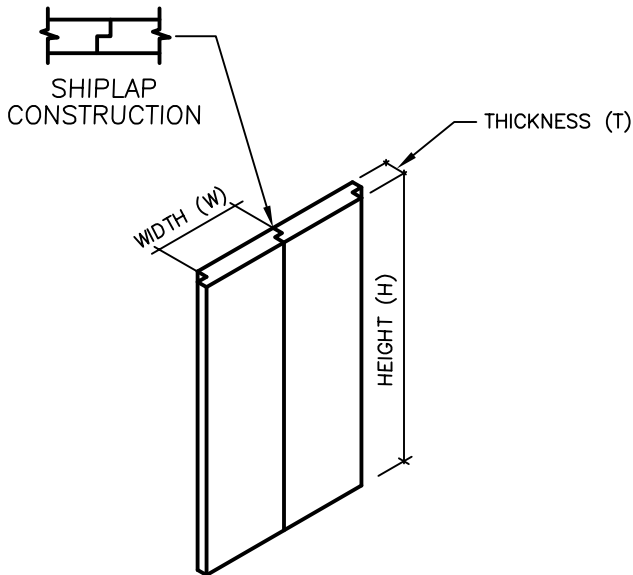


HORIZONTAL SECTION

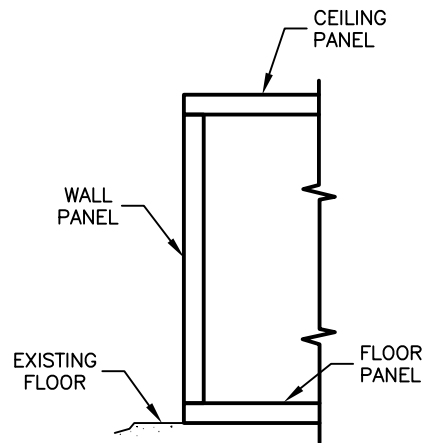


FRONT ELEVATION

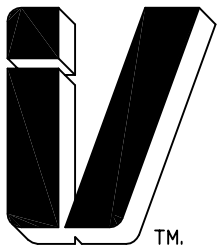
TYPICAL VAULT LAYOUT



TYPICAL PANEL INTERFACE



TYPICAL FLOOR/WALL/CEILING SECTION



INTERNATIONAL VAULT INC.

2469 OLD U.S. 421-N
 SILER CITY, N.C. 27344
 PHONE: (919) 742-3132
 FAX: (919) 742-3319
 WWW.INTERNATIONALVAULT.COM

LIGHTWEIGHT MODULAR VAULT SYSTEMS

DRAWN BY: EMH	SCALE: N.T.S.	DISTRIBUTION: ALL
CHECKED BY: GML	DATE: 03/31/2008	DRAWING NO. P1-3