
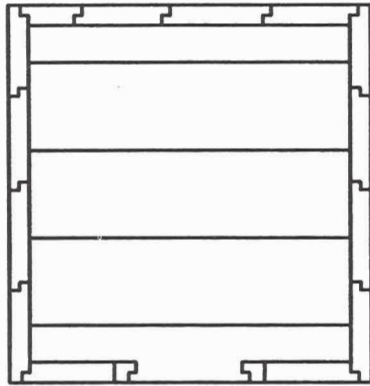
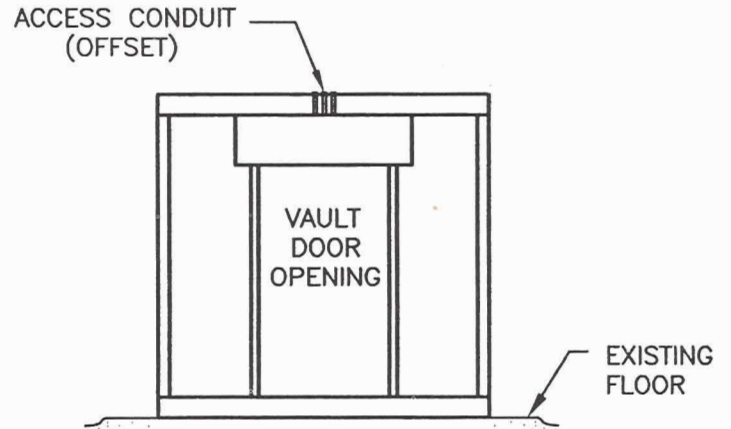


LIGHTWEIGHT MODULAR VAULT PANELS

|  CLASSIFICATION | APPROX. WEIGHT (PER SQ. FT. OF SURFACE) | THICKNESS (T) |
|-----------------------------------------------------------------------------------------------------|--------------------------------------------------|------------------|
| CLASS M | 22 LBS. ($\pm 10\%$) | 4" |
| CLASS 1 | 26 LBS. ($\pm 10\%$) | 6" |
| CLASS 2 | 36 LBS. ($\pm 10\%$) | 9" |
| CLASS 3 | 58 LBS. ($\pm 10\%$) | 13.5" |

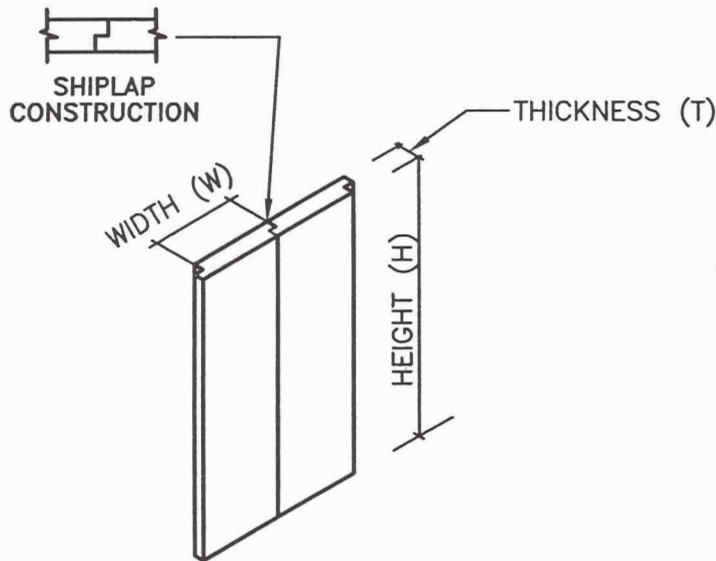


HORIZONTAL SECTION

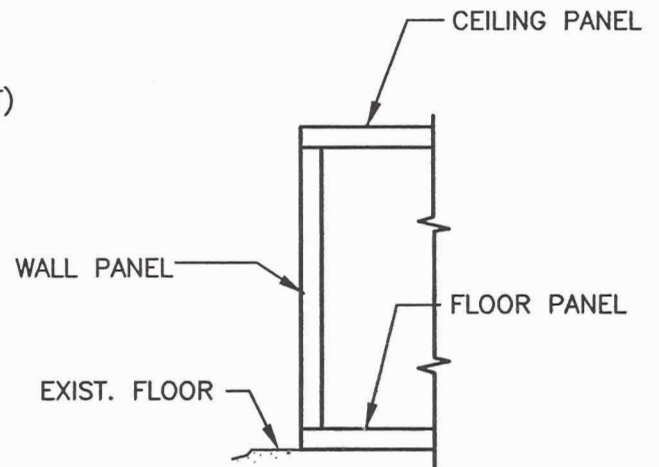


FRONT ELEVATION

TYPICAL VAULT LAYOUT



TYPICAL PANEL INTERFACE



TYPICAL
FLOOR/WALL/CEILING
SECTION

INTERNATIONAL VAULT INC.

2469 OLD 421 NORTH
SILER CITY, N.C. 27344

TEL 919-742-3132
FAX 919-742-3319

Email gml@intlco.com
WWW.INTERNATIONALVAULT.COM



LIGHTWEIGHT MODULAR VAULT SYSTEMS

| | | |
|-------------|-----------|------------|
| DRAWN BY: | REVISION: | SCALE: |
| CMH | B | N.T.S. |
| CHECKED BY: | DATE: | DRAWING #: |
| DMW | 2005 | SD-P1-1 |